

A cost-efficient, robust solution that gives you the benefit of high productivity and savings

The IN-E Series are a well proven design and an efficient pulse-jet cleaning system. Insertable (IN-E) Jet Pulse filters are modular bag filters in which the dust-laden air enters through the base and is evenly distributed between the filter envelopes. This ensures a smooth flow of both coarse and fine particles into the filter.

Benefits

Efficiency

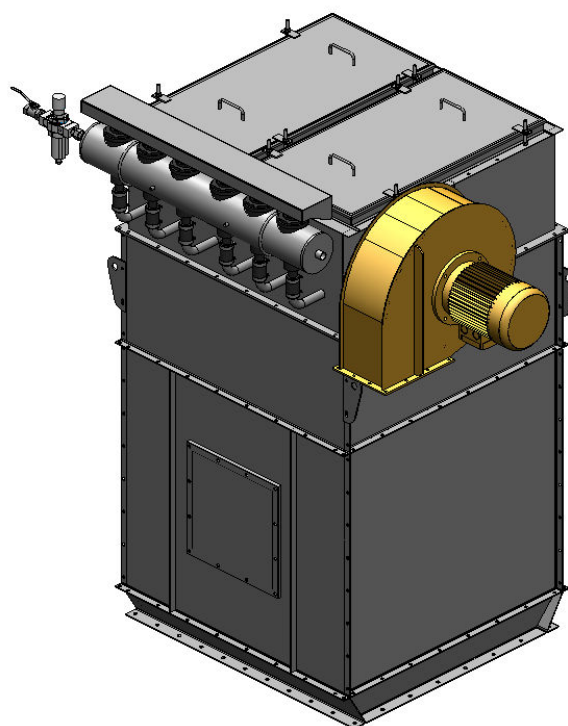
- The pulse jet system automatically cleans the envelopes row-by-row even as the dust is being filtered. The advantage is that the filter continues to work while the bags are being cleaned.

Savings

- Being a low maintenance solution, the IN-E needs minimum downtime. This means continuous plant operations for you.
- The filter control system helps maintain a low pressure drop – helping you save both compressed air and energy.
- The filter module comes in several sizes: 6, 12, 24, 36 and 40. Envelope bags mounted on wire cages in one to two layers.

Flexibility

- You can separate almost any kind of dust – fine, or abrasive.
- IN-E comes both in horizontal (IN-EH) and vertical (IN-EV) orientation. A flanged edition is also available (Top box and tube sheet, no casing)



Features

- Capacity: 500 – 10.000 m³/h
- Filter size: 5 – 67 m² filter surface
- Standard 4.5% vacuum (450 mmWC).
- Bag length 700, 1000, 1500 and 2000 mm.

Industries we serve for emission control and product recovery (detailed industry segments on our homepage)

- Cement & Lime
- Grain & Feed
- Energy & Waste
- Food & Dairy
- Speciality Powder
- Chemical & Mineral resources

Dimensioning:

IN-E - Sizes								
Size	Type	Number of bags per module	Modules		Total number of bags	Envelope bag length (m)	Filtration area (m ²)	Gas flow (m ³ /h)
			Width	Height				A/C at 2.5 m ³ /m ² /min
IN-EH6-1.0	H	6	1	1	6	1,0	5,2	774
IN-EH12-1.0	H	6	2	1	12	1,0	10,3	1.548
IN-EH24-1.0	H	6	2	2	24	1,0	20,6	3.096
IN-EH36-1.0	H	6	2	3	36	1,0	31,0	4.644
IN-EH40-1.0	H	10	2	2	40	1,0	34,4	5.160
IN-EH6-1.5	H	6	1	1	6	1,5	7,7	1.161
IN-EH12-1.5	H	6	2	1	12	1,5	15,5	2.322
IN-EH24-1.5	H	6	2	2	24	1,5	31,0	4.644
IN-EH36-1.5	H	6	2	3	36	1,5	46,4	6.966
IN-EH40-1.5	H	10	2	2	40	1,5	51,6	7.740
IN-EH6-2.0	H	6	1	1	6	2,0	10,3	1.548
IN-EH12-2.0	H	6	2	1	12	2,0	20,6	3.096
IN-EH24-2.0	H	6	2	2	24	2,0	41,3	6.192
IN-EH36-2.0	H	6	2	3	36	2,0	61,9	9.288
IN-EH40-2.0	H	10	2	2	40	2,0	68,8	10.320
IN-EV6-1.0	V	6	1	1	6	1,0	5,2	774
IN-EV12-1.0	V	6	2	1	12	1,0	10,3	1.548
IN-EV24-1.0	V	6	2	2	24	1,0	20,6	3.096
IN-EV36-1.0	V	6	2	3	36	1,0	31,0	4.644
IN-EV40-1.0	V	10	2	2	40	1,0	34,4	5.160
IN-EV6-1.5	V	6	1	1	6	1,5	7,7	1.161
IN-EV12-1.5	V	6	2	1	12	1,5	15,5	2.322
IN-EV24-1.5	V	6	2	2	24	1,5	31,0	4.644
IN-EV36-1.5	V	6	2	3	36	1,5	46,4	6.966
IN-EV40-1.5	V	10	2	2	40	1,5	51,6	7.740
IN-EV6-2.0	V	6	1	1	6	2,0	10,3	1.548
IN-EV12-2.0	V	6	2	1	12	2,0	20,6	3.096
IN-EV24-2.0	V	6	2	2	24	2,0	41,3	6.192
IN-EV36-2.0	V	6	2	3	36	2,0	61,9	9.288
IN-EV40-2.0	V	10	2	2	40	2,0	68,8	10.320
IN-EVFL6-1.5	VFL	6	1	1	6	1,5	7,7	1.161
IN-EVFL12-1.5	VFL	6	2	1	12	1,5	15,5	2.322
IN-EVFL24-1.5	VFL	6	2	2	24	1,5	31,0	4.644
IN-EVFL36-1.5	VFL	6	2	3	36	1,5	46,4	6.966
IN-EVFL40-1.5	VFL	10	2	2	40	1,5	51,6	7.740

For larger filter sizes, please contact Simatek's sales department