

A pneumatic conveying system transports products such as grain, powder and other dry materials through a piping system

By pressure transport system, Simatek provides a suitable filter flange-to-flange. The filter is working as a receiving filter.

We recommend filter with a fan to avoid over-pressure in the filter.

By vacuum conveying system, Simatek provides a complete system comprising filter, pump, discharge system, piping and suitable ATEX components for explosive atmospheres.

Benefits

Efficiency

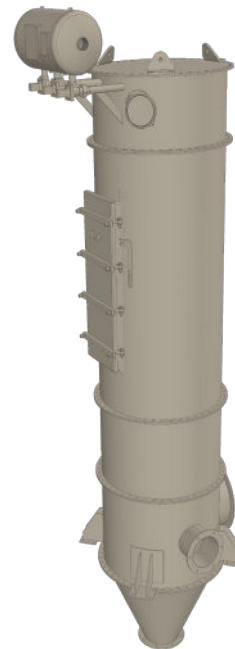
- Buying both filters and key components from Simatek, places the responsibility of the functionality with us as supplier.
- The complete system meets various standards and directives, among others the Machinery and ATEX directives.

Flexibility

- Unlike conveyers and elevators, the small duct systems allow you to move high product quantities quickly and/or between different levels.

Savings

- Energy efficient conveying system with long lifetime on bags and low emission.



Features

Vacuum conveying

- Differential pressure: up to 0,5 bar
- Moderate duct length
- One or more intake points
- Single discharge point
- Dust-free product intake

Pressure conveying

- Differential pressure: more than 0,5 bars
- Long duct length
- Single intake point
- Several discharge points

Applications

- | | | | |
|---------------------------|---------------------|----------------------|-----------------------|
| • Grain and feed industry | • Brewery | • Fish feed industry | • Mineral industry |
| • Chemical industry | • Paper industry | • Pet-food industry | • Fertilizer industry |
| • Cement industry | • Plastics industry | • Recycling industry | |
| • Food industry | • Metal industry | • Wood industry | |

Construction form

Inlets:

17 + 17 WB

Top:

4T-R
4T1-R
4T2-R
4T3-R

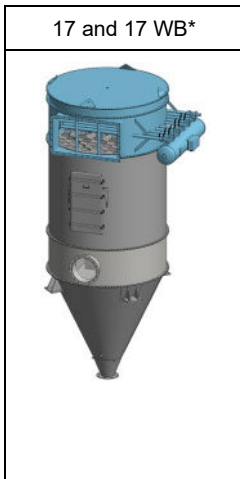
Selecting filter size

SimPact® 4T-R

		Filter area m ²								
Bag length - dm	Type JM	7	10	14	21	32	41	52	70	90
	10	3,1	4,4	6,2	9,2	14,1	18,0	22,9	30,8	39,6
	15	4,6	6,6	9,2	13,9	21,1	27,0	34,3	46,2	59,4
	20	6,2	8,8	12,3	18,5	28,1	36,1	45,7	61,6	79,2
	25	-	11,0	15,4	23,1	35,2	45,1	57,2	77,0	99,0
	30	-	13,2	18,5	27,7	42,2	54,1	68,6	92,4	118,8
	35	-	15,4	21,6	32,3	49,3	63,1	80,0	107,8	138,5
	40	-	-	-	36,9	56,3	72,1	91,5	123,2	158,3
	45	-	-	-	41,6	63,3	81,1	102,9	138,5	178,1
	50	-	-	-	46,2	70,4	90,2	114,4	153,9	197,9

For larger filter sizes, please contact Simatek's sales department

Selecting the construction form


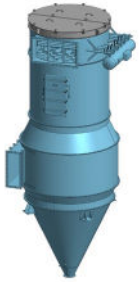
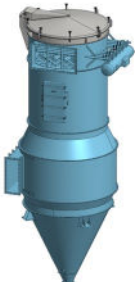
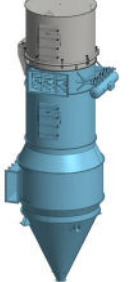


Dust load:

Unlimited

*) Wide-Body

Selecting the top cover for the clean-air chamber

 4T-R	 4T1-R	 4T2-R	 4T3-R
<ul style="list-style-type: none"> • Pressure-shock resistant • Side Removal • Installation of bags through the man door 	<ul style="list-style-type: none"> • Non-pressure shock resistant • Top Removal • Installation of bags from the clean-air side 	<ul style="list-style-type: none"> • Pressure-shock resistant top with hinged cover • Top Removal • Installation of bags from the clean-air side 	<ul style="list-style-type: none"> • Pressure-shock resistant "Walk in plenum" (Penthouse) • Top Removal • Installation of bags from the clean-air side