

A cost-efficient solution that gives you the benefit of robust construction and reliability

The SimPact 4T-R filter has a compact, cylindrical design and an efficient pulse-jet cleaning system. The filter housing and inlet zone are strategically placed in the various construction forms. This ensures a smooth flow of both coarse and fine particles into the filter.

Benefits

Efficiency

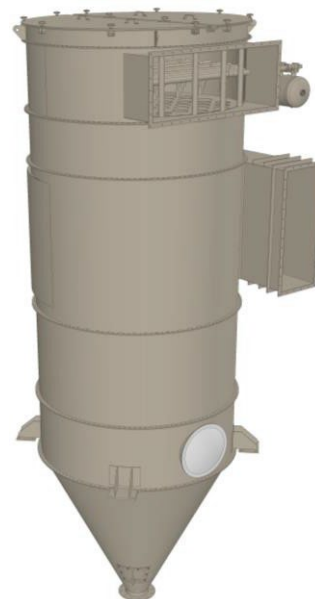
- The pulse jet system automatically cleans the bags row-by-row even as the dust is being filtered. The advantage is that the filter continues to work for you while the bags are being cleaned.

Savings

- Being a low maintenance solution, the SimPact 4T-R needs minimum downtime. This means continuous plant operations for you.
- The filter control system helps maintain a low pressure drop – helping you save both compressed air and energy.

Flexibility

- You can separate almost any kind of dust – fine, abrasive or explosive.
- The flexibility in bag removal allows you to easily service the bags.



Features

- Capacity: 500 – 26.000 m³/h
- Possible up to 50.000 m³/h
- Filter size: 3,1 – 435,6 m² filter surface
- Standard 5% vacuum
- Pressure shock resistance: Up to 2,0 bar
- Up to 250 C continuous operation
- Works on both dry and sticky products
- Bag removal: via both clean and dirty air sides
- Complying with the ATEX directive
- Indoor installation with explosion vent following European standard EN14491 or the German guidelines VDI 3673

Construction forms

- Inlets:**
03 + 3 WB
04
05
12 (high capacity)
14 (high capacity)
17 + 17 WB (high capacity)

Executions available for both in-door and out-installation.

- Top:**
4T-R
4T3-R (walk in plenum)

Applications

- Chemical industry
- Metal industry
- Recycling industry
- Mineral industry
- Cement industry
- Incineration
- Biomass
- Fertilizer industry

Selecting filter size

Subject to alterations



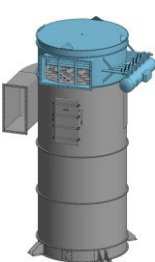



SimPact® 4T-R

Filter area m²

Type JM	7	10	14	21	32	41	52	70	90	124	146	170	198
Bag length - dm	10	3,1	4,4	6,2	9,2	14,1	18,0	22,9	30,8	39,6	-	-	-
	15	4,6	6,6	9,2	13,9	21,1	27,0	34,3	46,2	59,4	81,8	96,4	112,2
	20	6,2	8,8	12,3	18,5	28,1	36,1	45,7	61,6	79,2	109,1	128,5	149,6
	25	-	11,0	15,4	23,1	35,2	45,1	57,2	77,0	99,0	136,4	160,6	187,0
	30	-	13,2	18,5	27,7	42,2	54,1	68,6	92,4	118,8	163,7	192,7	224,4
	35	-	15,4	21,6	32,3	49,3	63,1	80,0	107,8	138,5	191,0	224,8	261,8
	40	-	-	-	36,9	56,3	72,1	91,5	123,2	158,3	218,2	257,0	299,2
	45	-	-	-	41,6	63,3	81,1	102,9	138,5	178,1	245,5	289,1	336,6
	50	-	-	-	46,2	70,4	90,2	114,4	153,9	197,9	272,8	321,2	374,0
	55	-	-	-	-	-	-	-	-	-	-	-	-



For larger filter sizes, please contact Simatek's sales department

Selecting construction form

03 and 03 WB*	04	05	12	14	17 and 17 WB*
					
Dust load:					
<50 g/m ³	<50 g/m ³	<50 g/m ³	<1000 g/m ³	<100 g/m ³	Unlimited

*) Wide-Body

Selecting the top cover for the clean-air chamber

 <p>4T-R</p> <ul style="list-style-type: none"> • Pressure-shock resistant • Side Removal • Installation of bags through the man door 	 <p>4T3-R</p> <ul style="list-style-type: none"> • Pressure-shock resistant • "Walk in plenum" (Penthouse) • Top Removal • Installation of bags from the clean-air side
---	--